



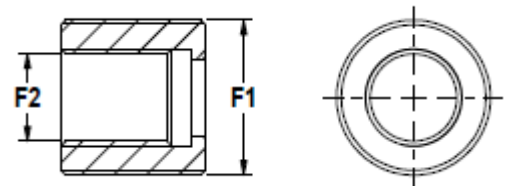
## DESCRIPTION

The adaptors series A/AA/B/C allow the conversion of the male thread into female thread or vice versa, large diameter into smaller diameter or vice versa. In addition they are also suitable to connect parts with different thread.

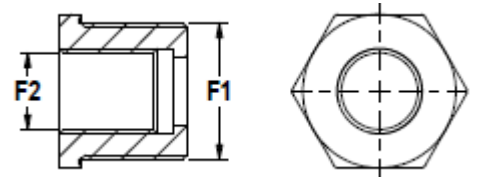
They are suitable for the installation in the industrial plants with potentially hazardous atmosphere classified as Zone 1 and Zone 2 for gases and Zone 21 and Zone 22 for combustible dusts.

## SPECIFICATIONS

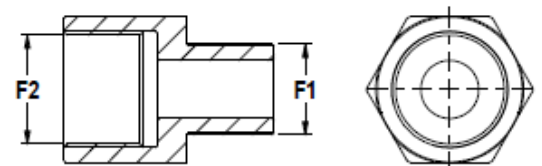
EXPLOSION PROTECTION	<b>Conformity</b>	ATEX Directive ATEX2014/34/UE	
	<b>Certification</b>	ATEX INERIS 17ATEX0012X IECEX INE 15.0016X	
	<b>Marking</b>	I M2 Ex db I Mb Ex eb I Mb	
		II 2 GD Ex db IIC Gb Ex eb IIC Gb Ex tb IIIC Db IP66	
	<b>Standards</b>	EN 60079-0 : 2012/A11: 2013 EN 60079-1 : 2014 EN 60079-7 : 2007 EN 60079-31 : 2014	IEC 60079-0 : 2011 IEC 60079-1 : 2014 IEC 60079-7 : 2006 IEC 60079-31 : 2013
TECHNICAL DATA	<b>Ambient Temperature</b>	-60°C / +300°C -30°C / +130°C with NBR O-Ring -60°C / +210°C with silicon O-Ring	
	<b>Material</b>	Stainless steel AISI 304 or AISI 316L Brass CW614N Brass CW614N nickel plated or anodized	
	<b>IP Rating</b>	IP 66	
	<b>Sealing</b>	NBR or silicon O-Ring (optional)	



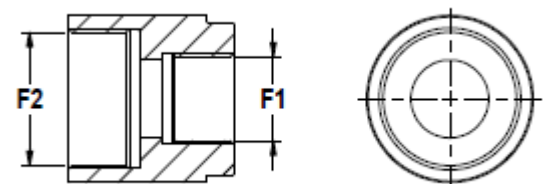
TYPE A



TYPE AA



TYPE B



TYPE C

## MATERIAL CHOICE

1. Stainless steel AISI 304
2. Stainless steel AISI 316L
3. Brass
4. Nickel plated/anodized brass

## THREAD TYPE

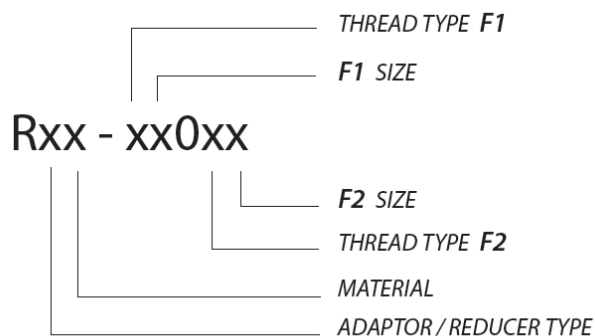
- M: metric ISO 262  
G: ISO 228  
N: NPT ANSI/ASME B1.20.1  
C: EN10226-2 (ATEX only)  
UNF available on request



## FEMALE THREAD

		METRIC						NPT - G -GK												
		M16	M20	M25	M32	M40	M50	M63	1/4"	3/8"	1/2"	3/4"	1"	1 1/4"	1 1/2"	2"	2 1/2"	3"		
MALE THREAD	METRIC	R: reducer A: adaptor																		
		M16	A	A	A	A	A	A	A	A	A	A	A	A	A	A	A	A	A	A
		M20	R	A	A	A	A	A	A	R	A	A	A	A	A	A	A	A	A	A
		M25	R	R	A	A	A	A	A	R	R	R	A	A	A	A	A	A	A	A
		M32	R	R	R	A	A	A	A	R	R	R	R	A	A	A	A	A	A	A
		M40	R	R	R	R	A	A	A	R	R	R	R	R	A	A	A	A	A	A
	M50	R	R	R	R	R	A	A	R	R	R	R	R	R	A	A	A	A	A	
	M63	R	R	R	R	R	R	A	R	R	R	R	R	R	R	A	A	A	A	
	NPT - G -GK	1/4"	A	A	A	A	A	A	A	A	A	A	A	A	A	A	A	A	A	A
		3/8"	A	A	A	A	A	A	A	R	A	A	A	A	A	A	A	A	A	A
		1/2"	R	A	A	A	A	A	A	R	R	A	A	A	A	A	A	A	A	A
		3/4"	R	R	A	A	A	A	A	R	R	R	A	A	A	A	A	A	A	A
		1"	R	R	R	A	A	A	A	R	R	R	R	A	A	A	A	A	A	A
		1 1/4"	R	R	R	R	A	A	A	R	R	R	R	R	A	A	A	A	A	A
		1 1/2"	R	R	R	R	R	A	A	R	R	R	R	R	R	A	A	A	A	A
		2"	R	R	R	R	R	R	A	R	R	R	R	R	R	R	A	A	A	A
		2 1/2"	R	R	R	R	R	R	R	R	R	R	R	R	R	R	R	A	A	A
		3"	R	R	R	R	R	R	R	R	R	R	R	R	R	R	R	R	A	A

Code	Size	Code	Size
1	1/4"	1	M16
2	3/8"	2	M20
3	1/2"	3	M25
4	3/4"	4	M32
5	1"	5	M40
6	1 1/4"	6	M50
7	1 1/2"	7	M63
8	2"		
9	2 1/2"		
10	3"		



### ORDER EXAMPLE

RA1-M30M2: Reducer type A in AISI 304  
M25 male M20 female

RB3-N30M4: Adaptor type B in brass  
1/2" NPT male 3/4" NPT female