



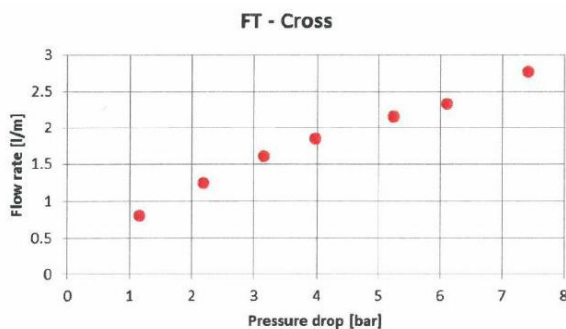
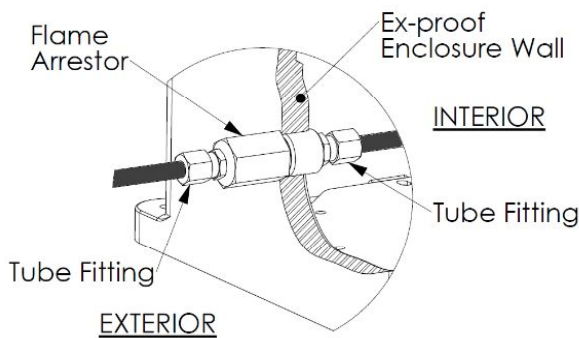
DESCRIPTION

FT-CROSS Flame arrestor enhanced flow designed and developed for application that require higher flow than our FT-VS series.

Flame arrestor is a safety device proposed to prevent flame propagation in-side process lines of a system to avoid an ignition. It provides connection of tubing systems for electro/pneumatic and gas/liquid analysis devices through the wall of the explosion proof enclosure. Pressure switches, moisture analyzers, gas analyzers/sensors, vaccum applications and pressure transmitter applications are the typical applications.

It is suitable for the installation in the industrial plants with potentially hazardous atmosphere classified as Zone 1 and Zone 2 for gases, Zone 21, and Zone 22 for combustibile dusts.

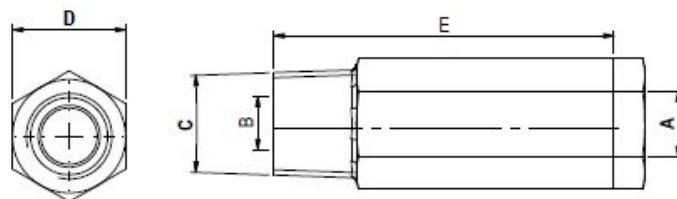
INSTALLATION SCHEME



PRESSURE DROP

SPECIFICATIONS

EXPLOSION PROTECTION	Conformity	ATEX Directive ATEX2014/34/UE
	Certification	ATEX - INERIS 19ATEX9002U IECEX - INE 19.0003U
	Marking	II 2GD Ex db IIC T5 Gb Ex eb IIC Gb Ex tb IIIC T100°C Db IP66
	Standards	EN 60079-0 EN 60079-1 EN 60079-7 EN 60079-31
TECHNICAL	Ambient Temperature	ATEX -60°C / +65°C IECEX -60°C / +65°C
	IP Rating	IP66
	Sealing	O-Ring with Silicon (Optional)



Details of Dimension "A"

N	1/2"NPT
L	3/8"NPT
S	1/4"NPT

CATALOG NO.	A	B	C	D	E
FT-CROSS-1	L/S	1/8"NPT	1/2"NPT	22	66
FT-CROSS-2	L/S	1/8"ISO	1/2"NPT	22	66
FT-CROSS-3	L/S	1/4"NPT	1/2"NPT	22	66
FT-CROSS-4	L/S	1/4"ISO	1/2"NPT	22	66
FT-CROSS-5	N	1/4"NPT	3/4"NPT	27	72
FT-CROSS-6	N	1/4"ISO	3/4"NPT	27	72
FT-CROSS-7	N	1/2"NPT	3/4"NPT	27	72
FT-CROSS-8	N	1/2"ISO	3/4"NPT	27	72
FT-CROSS-9	L/S	1/8"NPT	1/2"ISO	22	66
FT-CROSS-10	L/S	1/8"ISO	1/2"ISO	22	66
FT-CROSS-11	L/S	1/4"NPT	1/2"ISO	22	66
FT-CROSS-12	L/S	1/4"ISO	1/2"ISO	22	66
FT-CROSS-13	L/S	1/4"NPT	M16	22	66
FT-CROSS-14	L/S	M16	M20	22	72
FT-CROSS-15	L/S	3/8"NPT	M20	22	72
FT-CROSS-16	N	M20	M25	27	72

ORDER EXAMPLE

FT	CROSS	4	C	N
----	-------	---	---	---

Entry A
Material
Type of thread
Type
Product

Material Table	CODE	MATERIAL
	A	AISI Series 316L Steel
	C	AISI Series 304 Steel
	B	Brass
	H	Hastelloy
	I	Inconel

APPLICATION NOTE

1. Permissible maximum enclosure volume is 68 lt for IIC and 150 lt for IIB+H2.
2. Maximum flow pressure: 40bar